

## TMVDC-AVOUT

### A/V output daughter card for pnx1500 cards

The TMVDS-AVOUT was specifically designed for the MDS PCI pnx1500 card, model LCP-1500, but with certain restrictions can be used with any MDS product with a standard 80 pin A/V expansion connector.

The -KIT version of the board includes accessory cables, a CD with examples, and MDS' 90 Day Getting Started Support.

#### Hardware Features

- CVBS and S-video outputs
- 2 channel analog audio out
- S/P DIF digital audio out
- optical (TOSlink) digital audio out
- I<sup>2</sup>C expander with MDS assigned board ID allows software to recognize this daughter card.



#### General Specifications

Video out: Philips SAA7105

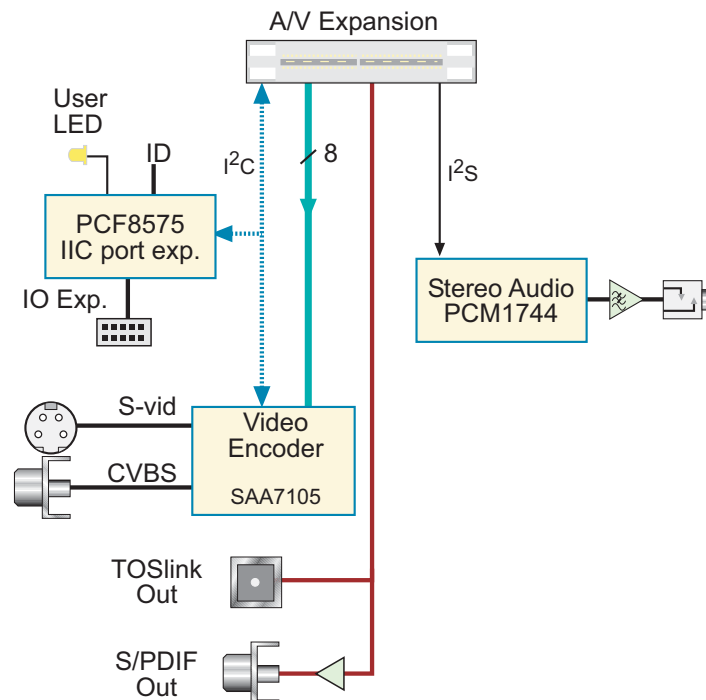
- PAL/NTSC/SECAM
- 8 bit modes only
- Features are programmable via I<sup>2</sup>C bus interface

Audio Out: TI PCM1744

- 2 channels, 3V p-p output, < -80 dB THD+N, > 90dB SNR
- 24 bit I<sup>2</sup>S format
- sample rate controlled by pnx1500
- supports 16 kHz to 96 kHz sample rates

Digital Audio Out

- S/P DIF, 75 ohm RCA jack
- Optical (TOSlink) digital audio, square connector



# TMVDC-AVOUT : Audio/Video output for pnx1500 cards

## Ordering Information (order code is in *Italics*)

### *TMVDC-AVOUT-BO* A/V Out Daughter Card

- CVBS and S video out
- 2 channel audio out
- RCA (S/P DIF) and Optical (TOSlink) digital audio out
- Mounts with included standoffs directly to LCP-1500 board
- 8 bit 656 style video input
- SAA7105 Video encoder

### *TMVDC-AVOUT-KIT* Daughter Card

- TMVDC-AVOUT card (see above)
- S video cable, RCA plug to RCA plug cable
- 1/8" mini stereo plug to 1/8" mini stereo plug cable
- MDS board manual and examples on CD
- Standard 90 Day Getting Started Support

### *TMVDC-STD-TRI* 90 Day Getting Started Support (inc. with TMVDC-AVOUT-KIT)

- Help with installation of hardware/software.
- Problems in installation.
- How to use/run hardware or software that comes with the card.
- General questions on background information (MPEG, industry standards like CCIR 601 or CCIR 656, video formats, HDTV)

Please see the MDS website for a copy of the Support data sheet, which has full details.

Please note there is a public support forum for Nexperia/TriMedia via Yahoo eGroups.

## Related items

Please visit <http://www.mds.com> for more information on baseboard cards for use with this daughter card.

Custom software and hardware engineering services are available.

# DRAFT

---

TriMedia, NEXPERIA, pnx1500, and pnx1300 are trademarks of Philips Semiconductor, Inc.



TMVDC-AVOUT data sheet - subject to change, rev 1b Aug 03

17330 Brookhurst St., Suite 230, Fountain Valley, CA 92708

Phone: 714-378-5805 / Fax: 714-378-5985

<http://www.mds.com>