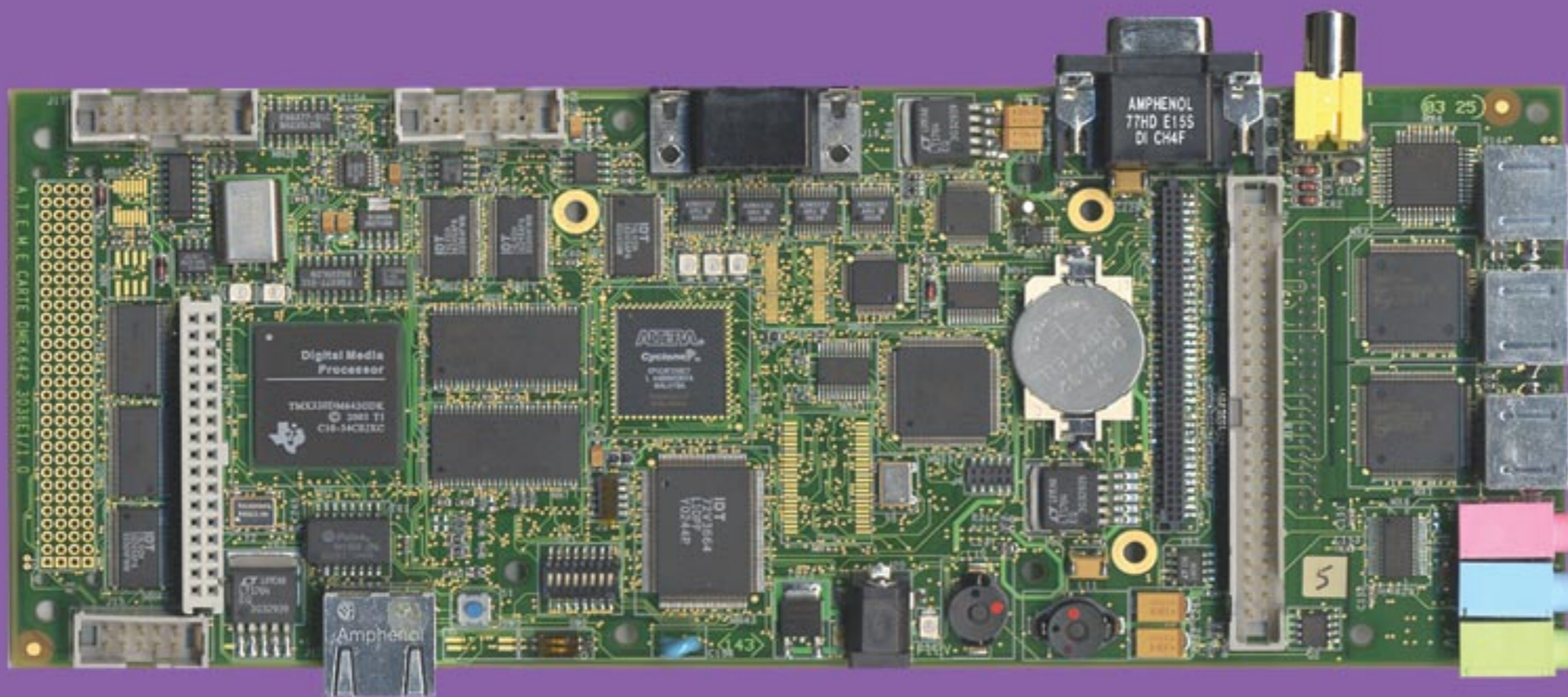


DMEK 642

Digital Media Evaluation Kit

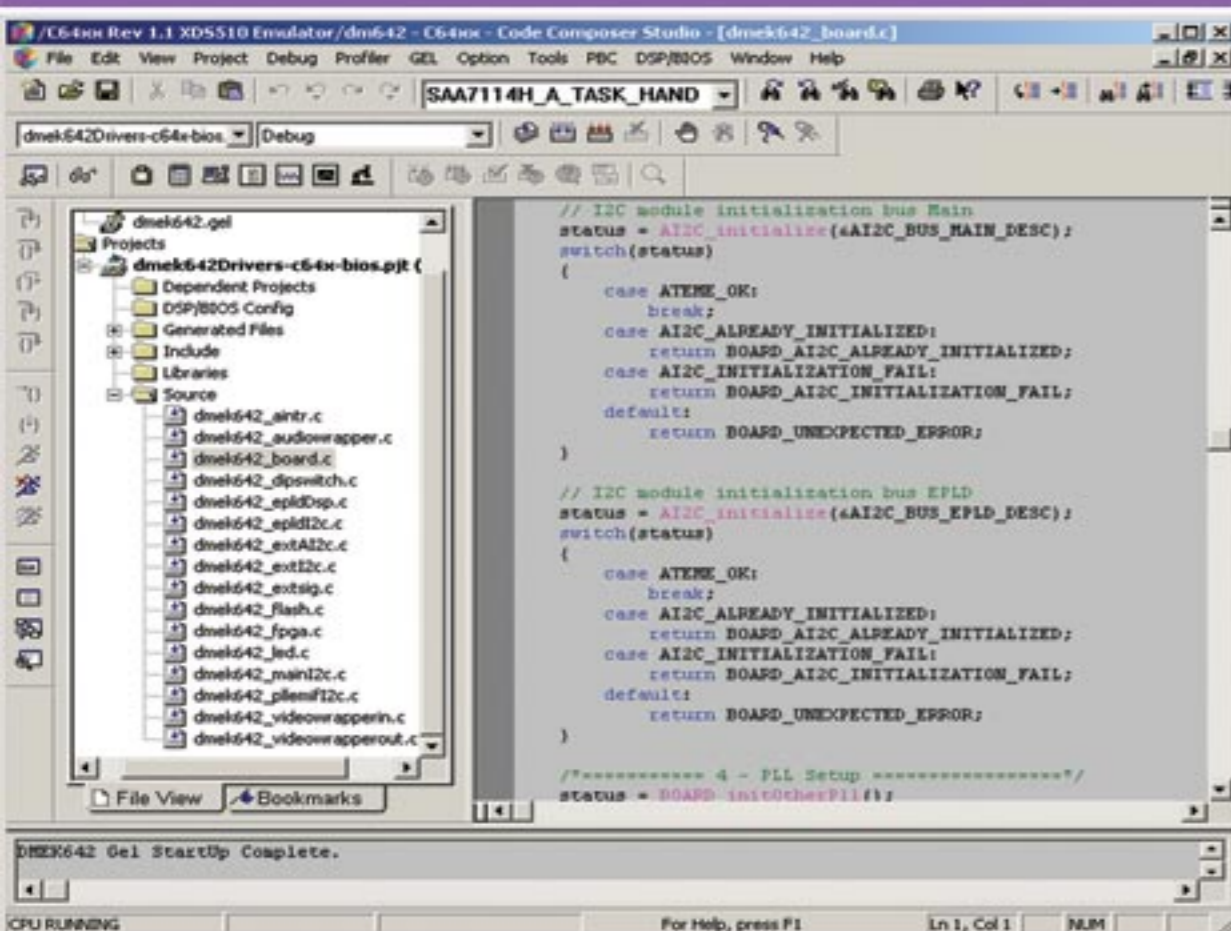
The multimedia content acquisition, processing and streaming experience



FEATURE-RICH DIGITAL AUDIO AND VIDEO DEVELOPMENT BOARD

- TI's DM642 DSP
- Digital & analog audio/video interfaces
- HDD interface
- Ethernet interface
- Host Port Interface
- Real Time Clock
- Stand alone use*

* PCI interface for PC104 available on request



COMPLETE SOFTWARE ENVIRONMENT

- Host terminal via TCP/IP
- Board support library
- Tutorials
- Technology demos

This kit integrates the TI DM642 which combines outstanding processing capabilities (4800 MIPS) with the interfaces needed for the video market - particularly digital video interfaces in BT.656 format. The DMEK range is dedicated to acquisition, compression and streaming of multimedia content.

The kit is available in two versions:

- DMEK 642 - Evaluation Kit: For DM642 and algorithm evaluation purposes,
- DMDK 642 - Development Kit: Complete reference design for development and prototyping.

The DMEK/DMDK 642 boards have several analog and digital video I/O's. Audio and video can be synchronized on input and output. These boards offer various functionalities like IDE interface for hard disk management, complete UART on RS232, Ethernet interface...

All included in a compact form factor (9 x 23 cm - 3.5" x 9").

This new kit supports AteMe's complete software offering for audio and video compression.



KEY FEATURES

- DM642 DSP
- TCP/IP stack
- Analog & digital multi-standard video I/O's
- Ethernet interface
- Hard drive disk interface (IDE)
- Host Port Interface
- Audio & Video synchronization

APPLICATIONS

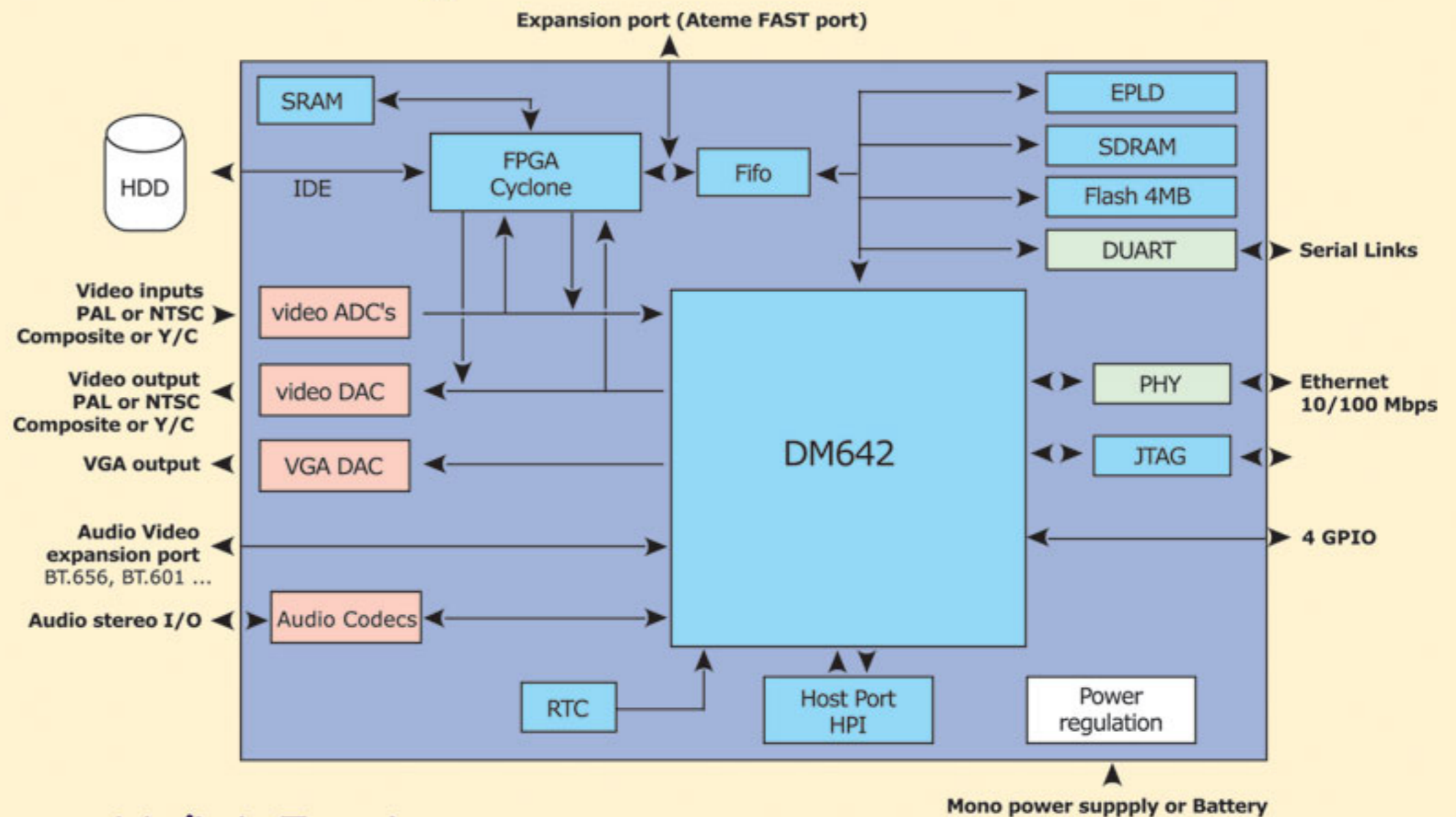
- Multimedia
- Video security
- Video entertainment
- Video conferencing



All trademarks property of their respective owner. ATEME may change product characteristics without prior notice.

© ATEME 2003 – All rights reserved – ref ATE3036COM01/1.1

Block Diagram



H/W Features

	DMEK 642	DMDK 642
INPUTS		
4 CVBS / 2YC (PAL / NTSC)	✓	✓
Stereo line	✓	✓
Microphone	✓	✓
Audio Video expansion port	Multiple video formats & standards (BT.656, BT.601, BT.1120, SMPTE 125 M, 260 M, 274 M, 296 M)	
OUTPUTS		
CVBS / YC	✓	✓
VGA (640x480 to 1024x768)	✓	✓
Stereo Speakers	✓	✓
INTERFACES		
RS232 / RS422	✓	✓
Ethernet 10/100Mbps	✓	✓
GPIO	4	4
HDD on IDE		✓
Host Port Interface		✓
PROCESSING RESOURCES		
DM642@600MHz	✓	✓
4 MB Flash	✓	✓
32 MB SDRAM	✓	✓
FIFO (4 k x 32)		✓
FPGA (50 K gates)		✓

DMEK642 Box contents:

- DMEK board
- Power supply
- Plexyglas stand
- CD-Rom (SW environment & docs)
- 2 adapters (2 CVBS > 1YC)

DMDK642 Box contents:

- DMDK board
- Hard Drive Disk (min 30 GB)
- Power supply
- Plexyglas stand
- CD-Rom (SW environment & docs)
- 2 adapters (2 CVBS > 1YC)

Options:

- CMOS BT.656 camera chip (640x480@30fps)
- PCI Interface (PC 104+)

S/W Environment

A complete S/W environment is delivered as part of the kit:

- Board support library (source code)
- Host manager and terminal (for PC)
- Application samples
- Technology demos

Related Products

- PCI emulator: aDICE710
- Video compression algorithms: MPEG-4, MPEG-2, JPEG
- Audio compression algorithms: AAC, MP3, CELP, ADPCM

To get more information about the range of products above, you can visit our website: <http://www.ateme.com/products/>

ATEME - 26 Burospace, route de Gisy - 91570 BIEVRES - FRANCE

Tel: 33 (0) 1.69.35.89.89 - Fax: 33 (0) 1.60.19.13.95

For more information, please contact products team : products@ateme.com